



## aseke® XS-100 SHHP ANCHORS

'SUPER HIGH HOLDING POWER', WELDED, BLACK BITUMINIZED, PRODUCT CERTIFIED TO NS 9415:2009 BY PRODUCT CERTIFICATE PR030. INDIVIDUALLY MARKED WITH ID-NUMBERS  
SUITABLE FOR USE ON SEA BOTTOMS OF SAND, CLAY, PEBBELS AND MIXED STRUCTURES

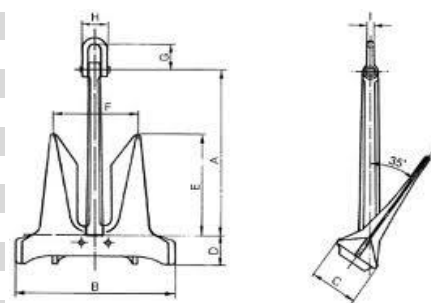
ITEM NO	CA KG	TESTED HOLDING		MBL kN
		POWER TONS SANDY BOTTOM	PROOF LOAD kN	
906875	75	12	39	100
906900	100	15	47,4	110
9069XS	200	26	73,3	147
906903	300	33	97	205
906904	500	54	140,5	343
90690X	600	60	166	411
906907	700	70	187,6	480
906979	800	78	200	510
906908	850	85	220,8	541
906910	1000	93	251,8	588
906912	1200	110	291,4	705
906915	1500	129	348,3	735
906918	1800	149	400	1040
906920	2000	162	428	1198
906925	2500	192	509	1400
906930	3000	223	577	1600



## AC-14 ANCHORS

DESIGNED FOR USE ON ROCKY SEA BOTTOMS  
FORGED, BLACK BITUMEN SURFACE, INCL ANCHOR SHACKLE  
PRODUCT CERTIFIED TO NS 9415:2009 WITH CERTIFICATE NO PR030

ITEM NO	CA	CA.	CA.	PROOF LOAD kN	MBL kN
	KG	HEIGHT	WIDTH		
906703	300	1100 MM	975 MM	98	123
906704	428	1200 MM	1080 MM	130	163
906706	675	1398 MM	1254 MM	181	228
906707	750	1450 MM	1300 MM	198	248
906708	910	1540 MM	1382 MM	235	295
906709	970	1600 MM	1400 MM	247	310
906710	1080	1670 MM	1410 MM	267	335
906713	1305	1700 MM	1560 MM	313	393
906714	1440	1800 MM	1610 MM	340	425
906717	1710	1900 MM	1690 MM	380	475
906718	1845	1955 MM	1746 MM	406	510
906720	2100	2030 MM	1811 MM	450	565
906724	2475	2140 MM	1910 MM	503	629
906728	2835	2280 MM	2000 MM	553	695
906730	3000	2290 MM	2064 MM	575	719



## KLIPP ANCHORS

FORGED/WELDED, HOT DIP GALVANIZED

ITEM NO	CA	CA	CA	BOAT SIZE
	KG	HEIGHT	WIDTH	
906420	20	615 MM	475 MM	20'-35'
906425	25	615 MM	475 MM	25'-35'
906430	30	615 MM	475 MM	28'-40'
906435	35	645 MM	500 MM	30'-45'
906440	40	675 MM	525 MM	36'-50'
906450	50	617 MM	537 MM	48'-65'
906475	75 KG	707 MM	616 MM	60'-70'
906110	100 KG	777 MM	678 MM	62'-80'
906115	150 KG	890 MM	775 MM	65'-100'
906120	200 KG	971 MM	847 MM	75'-125'

